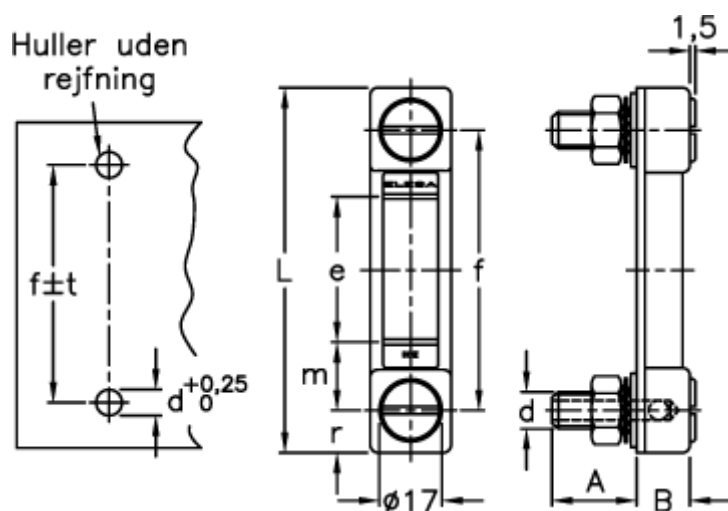


Article number: 2311011386

Description: E+G Column level indicator  
HCZ.127/T

## Measures



A = 23	Max tightening torque (Nm) = 12 to 15
B = 14.5	r = 11.5
C = 22	t = +/-0,5
d = M12	
e = 80	
f = 127	
L = 150	
m = 23	